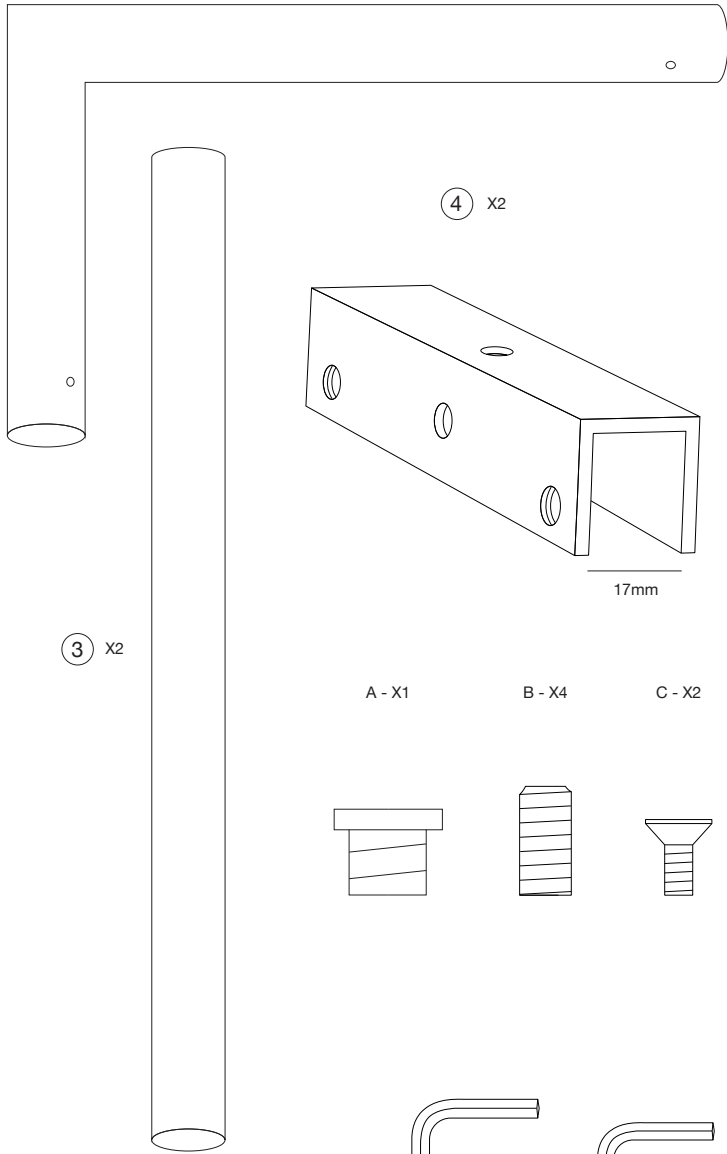
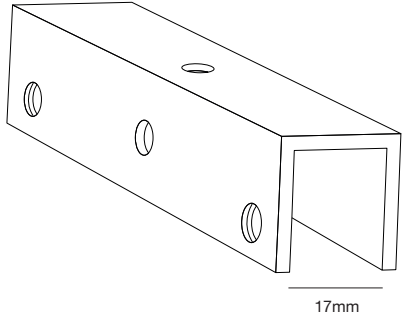


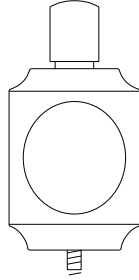
② X2



④ X2



① X2



③ X2

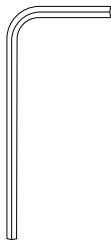
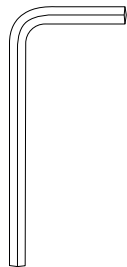
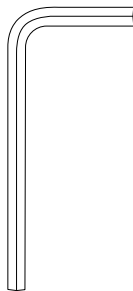
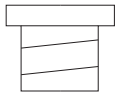
A - X1

B - X4

C - X2

D - X4

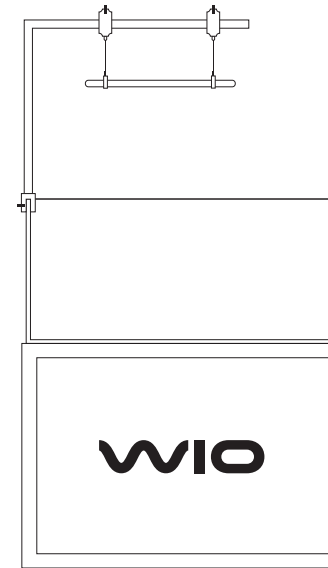
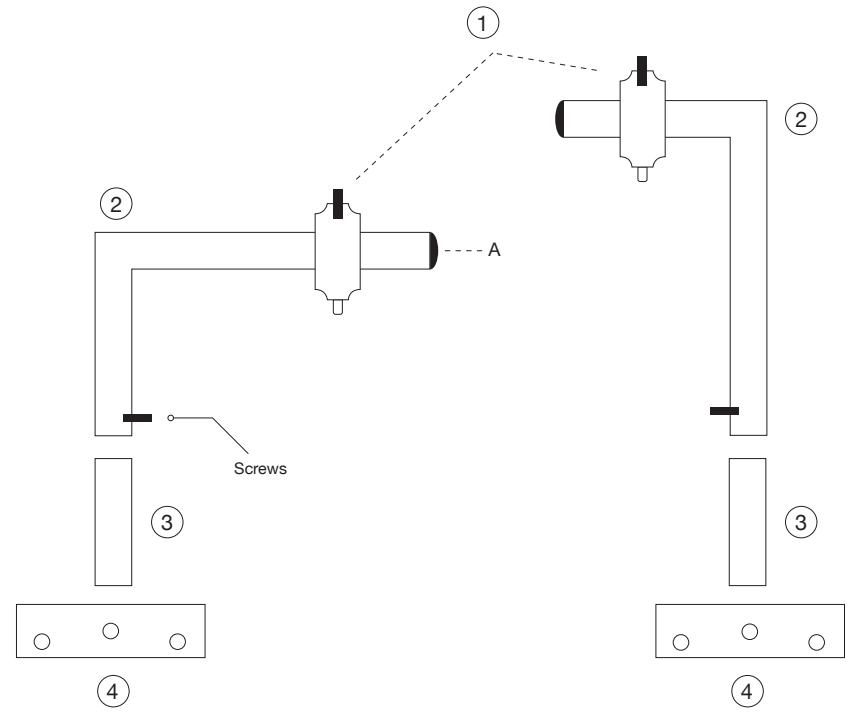
E - X4



# L-SHAPE TANK ANY SIZE

Option 1

Option 2



# L-SHAPED CABINET 40 - 75

